

CUSTOMER APPROVAL

SIGNATURE/DATE:



**TITLE**  
**Ground Support**

PROJECT NAME

-

DRAWN BY

*RobertW*  
4/17/2026

**DO NOT SCALE DRAWING**

UNLESS OTHERWISE SPECIFIED:  
DIMENSIONS ARE IN INCHES  
**TOLERANCES:**  
FRACTIONAL  $\pm 1/32"$   
ANGULAR MATCH  $\pm 0.5$   
BEND  $\pm 0.015$   
TWO PLACE DECIMAL  $\pm 0.005$   
THREE PLACE DECIMAL  $\pm 0.001$

**PROPRIETARY AND CONFIDENTIAL**

THE INFORMATION CONTAINED IN THIS DRAWING IS THE SOLE PROPERTY OF **TERRAFIX**. ANY REPRODUCTION IN PART OR AS A WHOLE WITHOUT THE WRITTEN PERMISSION OF **TERRAFIX** IS PROHIBITED.

JOB #

-

QTY#

**11**

MATERIAL

**Steel**

FINISH

**S1 Silver Outdoor**

REV

**00**

SCALE:

1:8

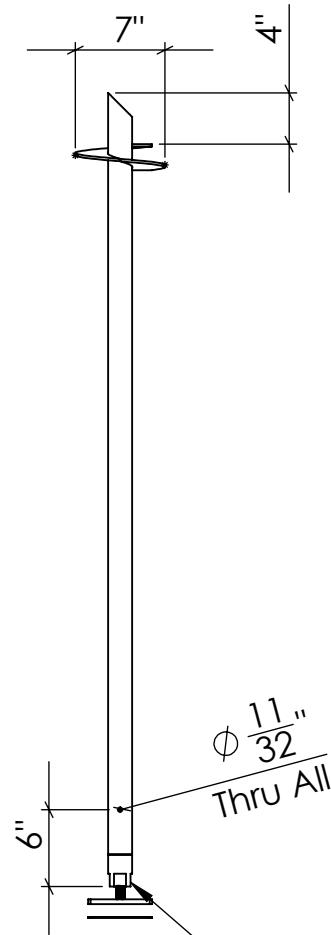
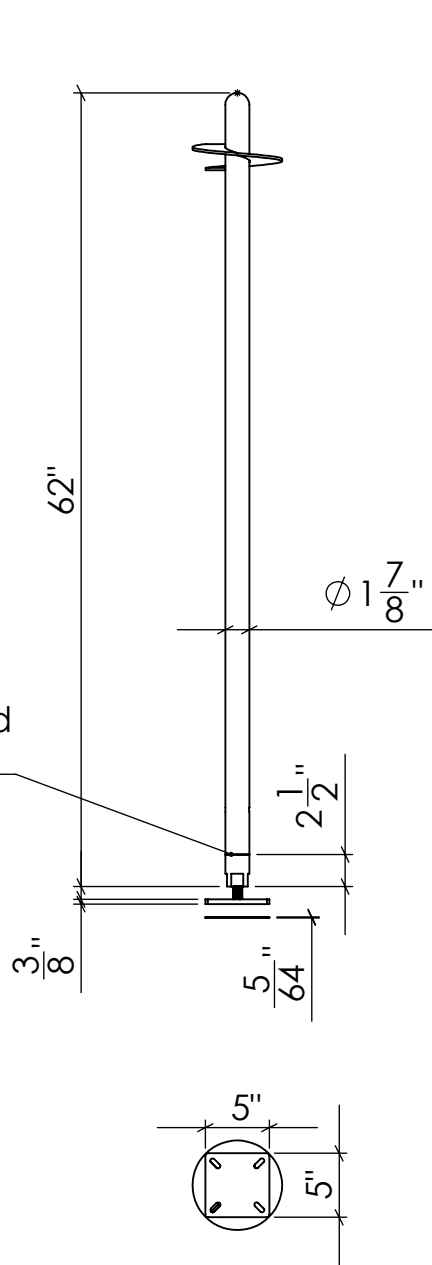
SHEET:

1 OF 5

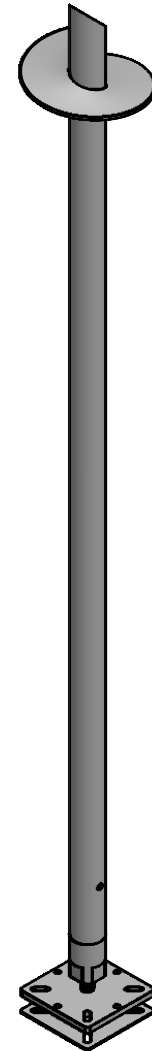
CLIENT

-

Weld and Grind Smooth



Square Cuts for Wrench



CUSTOMER APPROVAL  
SIGNATURE/DATE:



TITLE

**Ground Support**

PROJECT NAME

-

DRAWN BY

**RobertW**  
4/17/2026

DO NOT SCALE DRAWING

UNLESS OTHERWISE SPECIFIED:  
DIMENSIONS ARE IN INCHES  
TOLERANCES:  
FRACTIONAL  $\pm 1/32"$   
ANGULAR: MACH  $\pm 0.5$   
BEND  $\pm 0.015$   
TWO PLACE DECIMAL  $\pm 0.005$   
THREE PLACE DECIMAL  $\pm 0.001$

PROPRIETARY AND CONFIDENTIAL

THE INFORMATION CONTAINED IN THIS DRAWING IS THE SOLE PROPERTY OF TERRAFIX. ANY REPRODUCTION IN PART OR AS A WHOLE WITHOUT THE WRITTEN PERMISSION OF TERRAFIX IS PROHIBITED.

JOB #

-

QTY#

11

MATERIAL

Steel

FINISH

S1 Silver Outdoor

REV

00

SCALE:

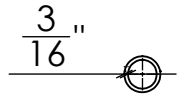
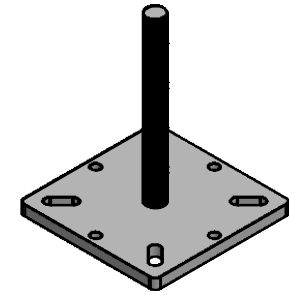
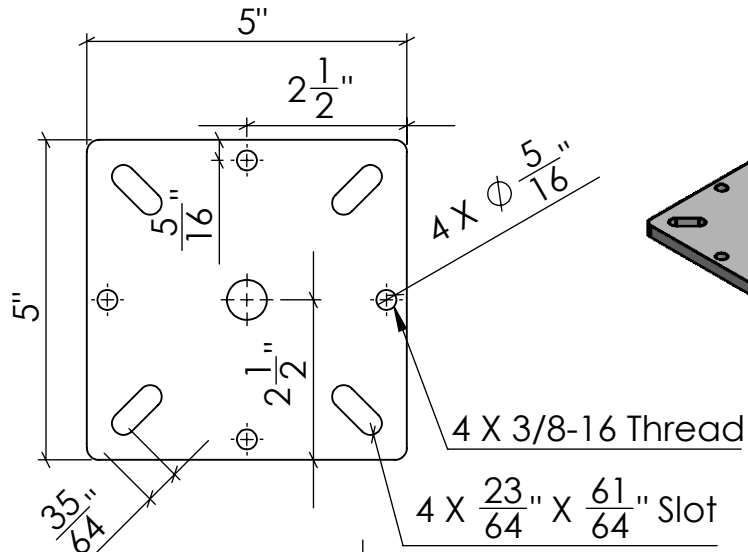
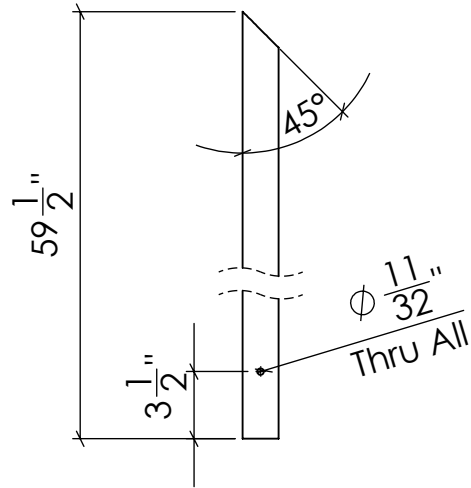
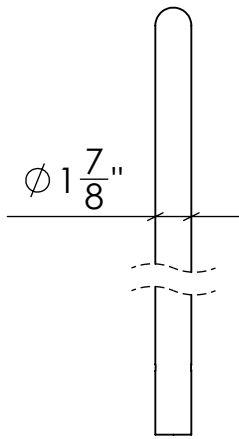
1:15

SHEET:

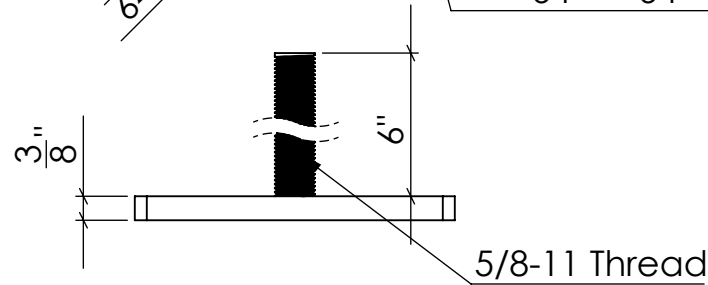
2 OF 5

CLIENT

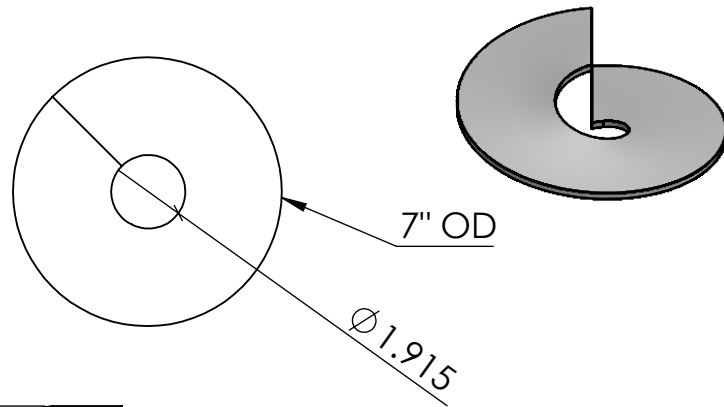
-



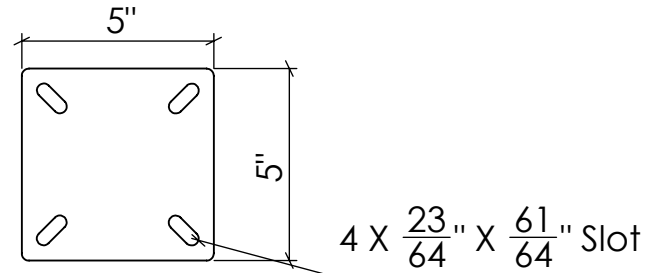
### Pipe Details



### Base Plate Details



### Corkscrew Details



### Leveling Plate Details

CUSTOMER APPROVAL  
SIGNATURE/DATE:



TITLE

**Ground Support**

PROJECT NAME

-

DRAWN BY

**RobertW**  
4/17/2026

DO NOT SCALE DRAWING

UNLESS OTHERWISE SPECIFIED:  
DIMENSIONS ARE IN INCHES  
TOLERANCES:  
FRACTIONAL  $\pm 1/32''$   
ANGULAR: MACH  $\pm 0.5$   
BEND  $\pm 0.015$   
TWO PLACE DECIMAL  $\pm 0.005$   
THREE PLACE DECIMAL  $\pm 0.001$

PROPRIETARY AND CONFIDENTIAL

THE INFORMATION CONTAINED IN THIS DRAWING IS THE SOLE PROPERTY OF TERRAFIX. ANY REPRODUCTION IN PART OR AS A WHOLE WITHOUT THE WRITTEN PERMISSION OF TERRAFIX IS PROHIBITED.

JOB #

-

QTY#

**11**

MATERIAL

**Steel**

FINISH

**S1 Silver Outdoor**

REV

**00**

SCALE:

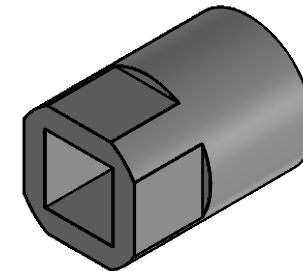
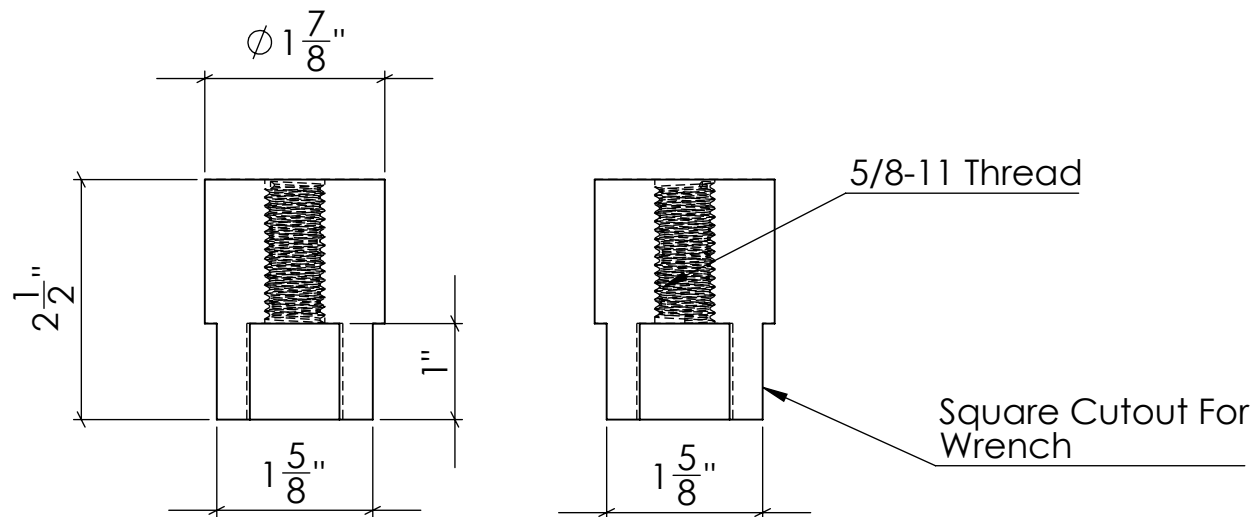
1:10

SHEET:

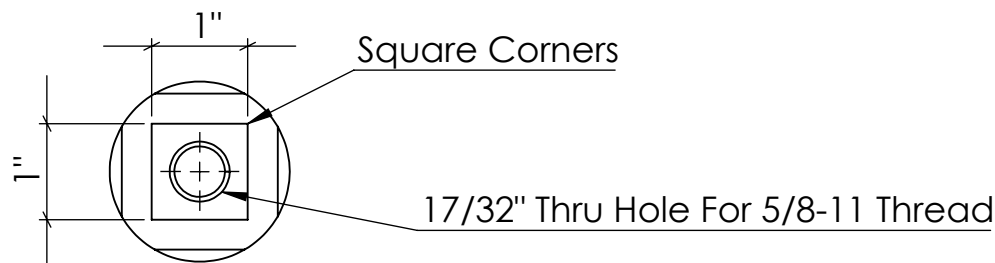
3 OF 5

CLIENT

-



**Thread Insert For Bottom Plate**

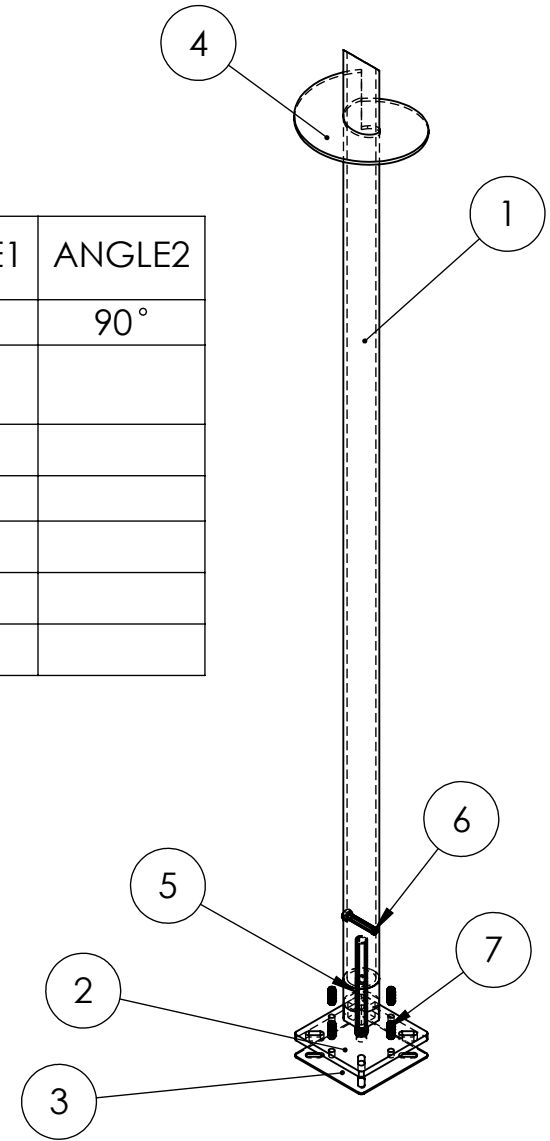


CUSTOMER APPROVAL  
SIGNATURE/DATE:



<b>TITLE</b> <b>Ground Support</b>		<b>PROJECT NAME</b> -			<b>DRAWN BY</b> <i>RobertW</i> 4/17/2026		<b>DO NOT SCALE DRAWING</b> UNLESS OTHERWISE SPECIFIED: DIMENSIONS ARE IN INCHES <b>TOLERANCES:</b> FRACTIONAL $\pm 1/32"$ ANGULAR: MACH $\pm 0.5$ BEND $\pm 0.015$ TWO PLACE DECIMAL $\pm 0.005$ THREE PLACE DECIMAL $\pm 0.001$		<b>PROPRIETARY AND CONFIDENTIAL</b> THE INFORMATION CONTAINED IN THIS DRAWING IS THE SOLE PROPERTY OF <b>TERRAFIX</b> . ANY REPRODUCTION IN PART OR AS A WHOLE WITHOUT THE WRITTEN PERMISSION OF <b>TERRAFIX</b> IS PROHIBITED.	
<b>JOB #</b> -	<b>QTY#</b> <b>11</b>	<b>MATERIAL</b> <b>Steel</b>	<b>FINISH</b> <b>S1 Silver Outdoor</b>	<b>REV</b> <b>00</b>	<b>SCALE:</b> 1:2	<b>SHEET:</b> 4 OF 5	<b>CLIENT</b> -			

ITEM NO.	QTY.	TOTAL QTY.	Description	LENGTH	ANGLE1	ANGLE2
1	1	11	Round Tube, 1-7/8", 3/16"	59 1/2"	45°	90°
2	1	11	3/8" THK Base Plate With 5/8-11 Thread			
3	1	11	Leveling Plate, 12Ga			
4	1	11	Corkscrew, 3/16" THK			
5	1	11	Threaded Base Insert			
6	1	11	3/8-16 Bolt	2-1/2"		
7	4	44	3/8-16 Set Screw	1"		



CUSTOMER APPROVAL

SIGNATURE/DATE:



**TITLE**  
**Ground Support**

PROJECT NAME

-

DRAWN BY

*RobertW*  
4/17/2026

**DO NOT SCALE DRAWING**

UNLESS OTHERWISE SPECIFIED:  
DIMENSIONS ARE IN INCHES  
**TOLERANCES:**  
FRACTIONAL: ± 1/32"  
ANGULAR: MACH ± 0.5  
BEND: ± 0.015  
TWO PLACE DECIMAL: ± 0.005  
THREE PLACE DECIMAL: ± 0.001

**PROPRIETARY AND CONFIDENTIAL**

THE INFORMATION CONTAINED IN THIS DRAWING IS THE SOLE PROPERTY OF **TERRAFIX**. ANY REPRODUCTION IN PART OR AS A WHOLE WITHOUT THE WRITTEN PERMISSION OF **TERRAFIX** IS PROHIBITED.

JOB #

-

QTY#

**11**

MATERIAL

**Steel**

FINISH

**S1 Silver Outdoor**

REV

**00**

SCALE:

1:20

SHEET:

5 OF 5

CLIENT

-